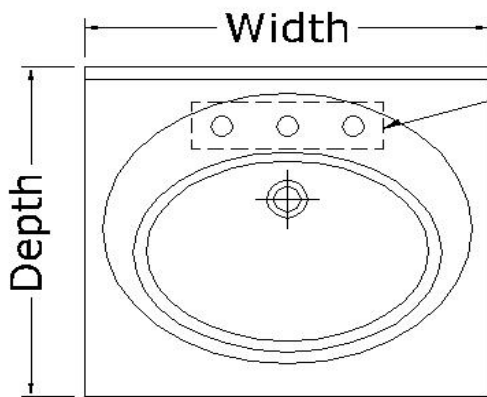




STANDARD OVAL SINK VANITY TOP

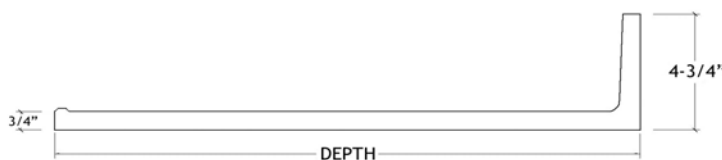
Sizes and/or shapes beyond what is contained in these tables must be ordered from the Custom Price tables

DIMENSIONS W" x D"	OVAL SINK PRODUCT DESCRIPTION	MATERIAL TYPE		SHIPPING INFO.	
		MARBLE & SOLID	ONYX & STONE	VOLUME Cu. Ft.	WEIGHT Lb.
25 x 17	N/A	\$240	\$318	6	34
25 x 19	O2519	\$248	\$326	6	31
31 x 19	O3119	\$296	\$390	7	36
37 x 19	O3719	\$350	\$461	8	45
25 x 22	O2522	\$287	\$386	6	43
31 x 22	O3122	\$333	\$439	7	44
37 x 22	O3722	\$386	\$511	8	50
43 x 22	O4322	\$456	\$606	9	66
49 x 22	O4922	\$490	\$653	10	60
61 x 22	O6122	\$584	\$786	12	94

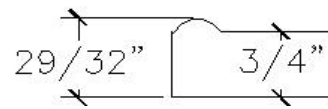


Specify quantity of faucet holes and spacing.
ie: single hole, 3 @ 4" centers, 3 @ 8" centers.

RECESSED OVAL



STANDARD VANITY
SECTIONAL VIEW



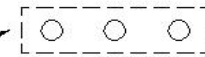
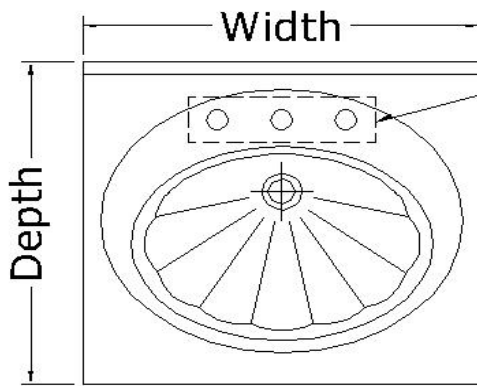
Edge Detail
for all Standard Tops



STANDARD SHELL SINK VANITY TOP

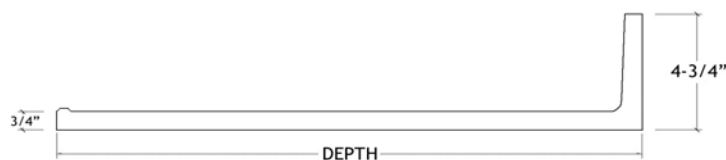
Sizes and/or shapes beyond what is contained in these tables must be ordered from the Custom Price tables

DIMENSIONS W" x D"	OVAL SINK PRODUCT DESCRIPTION	MATERIAL TYPE		SHIPPING INFO.	
		MARBLE & SOLID	ONYX & STONE	VOLUME Cu. Ft.	WEIGHT Lb.
25 x 17	S2517	\$240.00	\$318.00	6	34
25 x 19	S2519	\$248.00	\$326.00	6	31
31 x 19	S3119	\$296.00	\$390.00	7	36
37 x 19	S3719	\$350.00	\$461.00	8	45
25 x 22	S2522	\$287.00	\$386.00	6	43
31 x 22	S3122	\$333.00	\$439.00	7	44
37 x 22	S3722	\$386.00	\$511.00	8	50
43 x 22	S4322	\$456.00	\$606.00	9	66
49 x 22	S4922	\$490.00	\$653.00	10	60
61 x 22	S6122	\$584.00	\$786.00	12	94

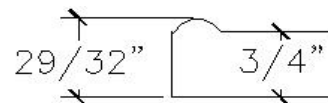


Specify quantity of faucet holes and spacing.
ie: single hole, 3 @ 4" centers, 3 @ 8" centers.

SHELL



STANDARD VANITY
SECTIONAL VIEW



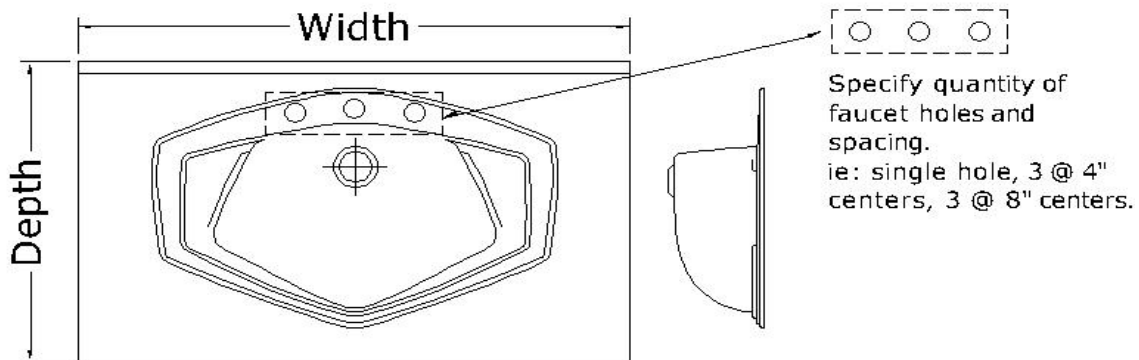
Edge Detail
for all Standard Tops



STANDARD DIAMOND SINK VANITY TOP

Sizes and/or shapes beyond what is contained in these tables must be ordered from the Custom Price tables

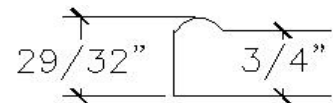
DIMENSIONS W" x D"	OVAL SINK PRODUCT DESCRIPTION	MATERIAL TYPE		SHIPPING INFO.	
		MARBLE & SOLID	ONYX & STONE	VOLUME Cu. Ft.	WEIGHT Lb.
37 x 22	D3722	\$393.00	\$518.00	8	54
49 x 22	D4922	\$496.00	\$660.00	10	64



DIAMOND



STANDARD VANITY
SECTIONAL VIEW



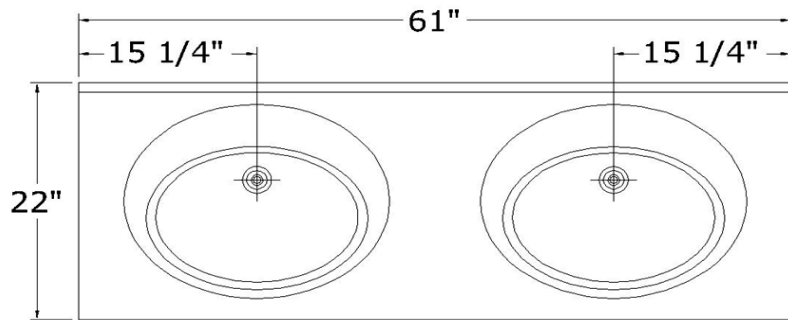
Edge Detail
for all Standard Tops



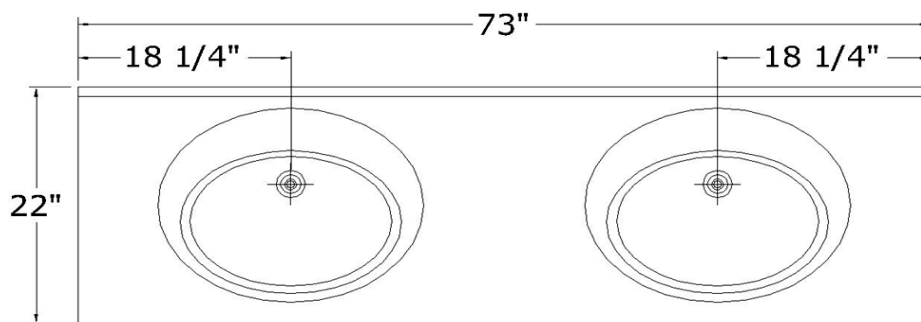
STANDARD DOUBLE OVAL BOWL VANITY TOP

Sizes and/or shapes beyond what is contained in these tables must be ordered from the Custom Price tables

DIMENSIONS W" x D"	OVAL SINK PRODUCT DESCRIPTION	MATERIAL TYPE		SHIPPING INFO.	
		MARBLE & SOLID	ONYX & STONE	VOLUME Cu. Ft.	WEIGHT Lb.
61 x 22	DO6122	\$635.00	\$850.00	12	94
73 x 22	DO7322	\$748.00	\$999.00	14	110



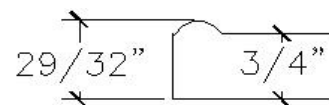
DOUBLE OVAL



DOUBLE OVAL



STANDARD VANITY
SECTIONAL VIEW



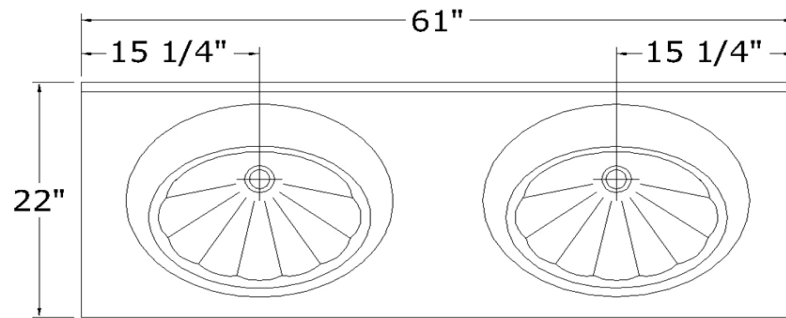
Edge Detail
for all Standard Tops



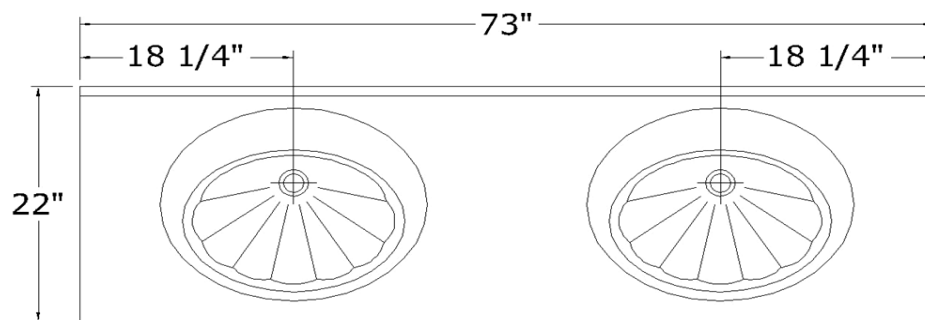
STANDARD DOUBLE SHELL BOWL VANITY TOP

Sizes and/or shapes beyond what is contained in these tables must be ordered from the Custom Price tables

DIMENSIONS W" x D"	OVAL SINK PRODUCT DESCRIPTION	MATERIAL TYPE		SHIPPING INFO.	
		MARBLE & SOLID	ONYX & STONE	VOLUME Cu. Ft.	WEIGHT Lb.
61 x 22	DO6122	\$635.00	\$850.00	12	94
73 x 22	DO7322	\$748.00	\$999.00	14	110



DOUBLE SHELL



DOUBLE SHELL



STANDARD VANITY
SECTIONAL VIEW

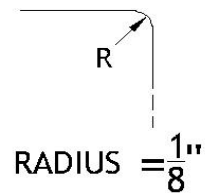
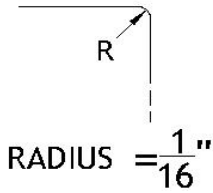


Edge Detail
for all Standard Tops



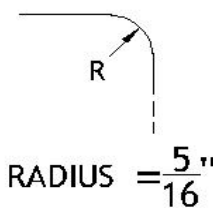
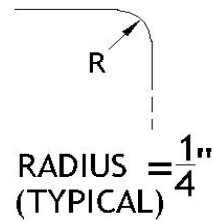
**PANELS &
CUSTOM FLAT STOCK
(PRICE PER SQ.FT)**

1 - 3 Sq. Ft.



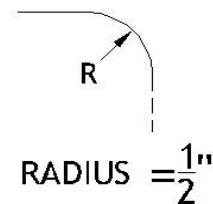
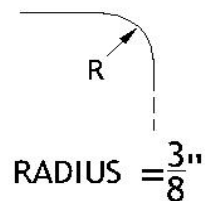
THICKNESS	MATERIAL TYPE		WEIGHT Lbs/ft2
	MARBLE & SOLID \$/ft2	ONYX & STONE \$/ft2	
3/8"	\$56.00	\$74.00	3.75
1/2"	\$74.00	\$98.00	5
5/8"	\$93.00	\$123.00	6.25
3/4"	\$112.00	\$147.00	7.5
1"	\$149.00	\$196.00	10

3-10 Sq. Ft.



THICKNESS	MATERIAL TYPE		WEIGHT Lbs/ft2
	MARBLE & SOLID \$/ft2	ONYX & STONE \$/ft2	
3/8"	\$50.00	\$66.00	3.75
1/2"	\$67.00	\$88.00	5
5/8"	\$84.00	\$111.00	6.25
3/4"	\$100.00	\$133.00	7.5
1"	\$134.00	\$177.00	10

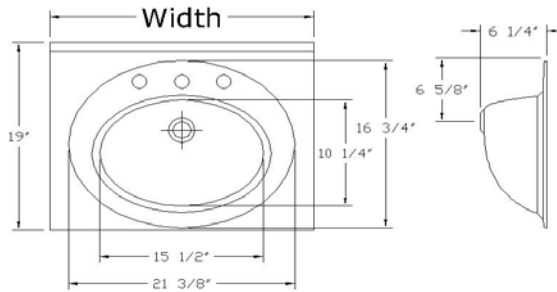
10 - plus Sq. Ft.



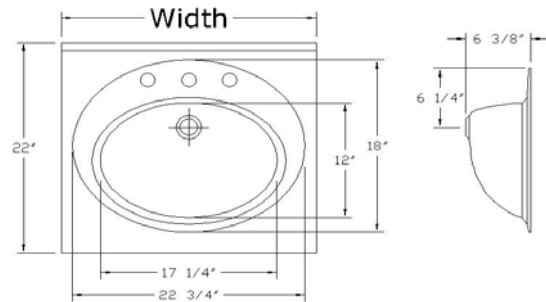
THICKNESS	MATERIAL TYPE		WEIGHT Lbs/ft2
	MARBLE & SOLID \$/ft2	ONYX & STONE \$/ft2	
3/8"	\$42.00	\$55.00	3.75
1/2"	\$56.00	\$74.00	5
5/8"	\$70.00	\$92.00	6.25
3/4"	\$84.00	\$111.00	7.5
1"	\$112.00	\$147.00	10



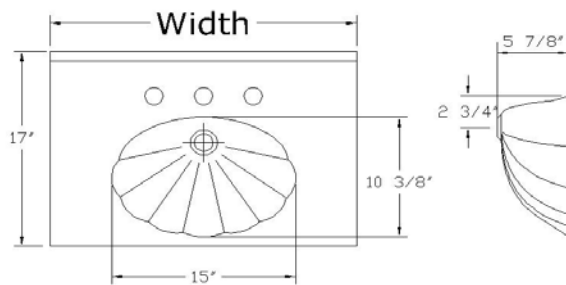
Standard Integrated Bowl Specifications



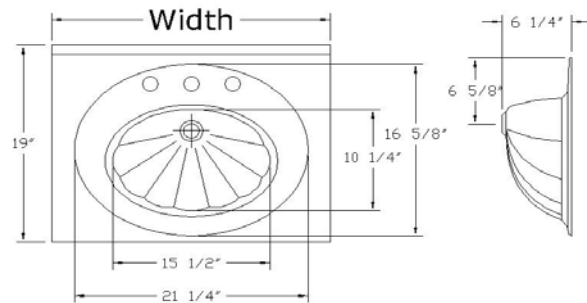
**Recessed Small Oval Bowl
for 19" Deep Tops**



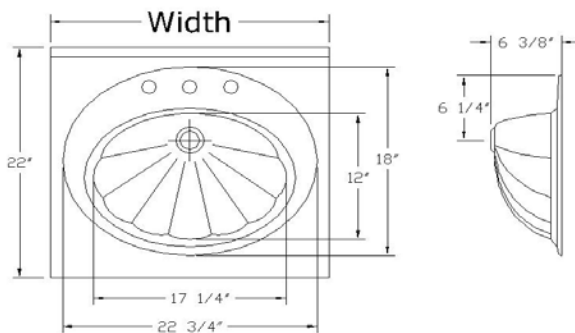
**Recessed Oval Bowl
for 22" Deep Tops**



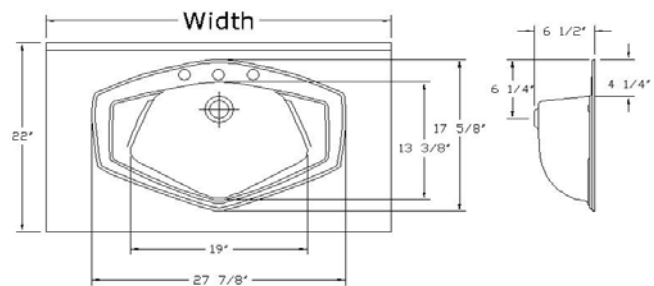
**Recessed Small Shell Bowl
for 17" Deep Tops**



**Recessed Small Shell Bowl
for 19" Deep Tops**



**Recessed Shell Bowl
for 22" Deep Tops**



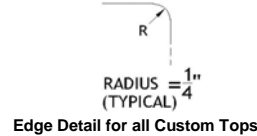
**Recessed Diamond Bowl
for 22" Deep Tops**



CUSTOM VANITY TOPS WITH MOLDED SINK AND BACKSPLASH
CUSTOM SIZES, OFF CENTERED BOWL AND BANJO TOPS

WIDTH	MARBLE & SOLID	ONYX & STONE	WIDTH	MARBLE & SOLID	ONYX & STONE	WIDTH	MARBLE & SOLID	ONYX & STONE	WIDTH	MARBLE & SOLID	ONYX & STONE
25"	\$395.00	\$494.00	49"	\$716.00	\$885.00	73"	\$1,037.00	\$1,278.00	97"	\$1,356.00	\$1,674.00
26"	\$408.00	\$509.00	50"	\$729.00	\$900.00	74"	\$1,050.00	\$1,294.00	98"	\$1,371.00	\$1,691.00
27"	\$421.00	\$524.00	51"	\$744.00	\$920.00	75"	\$1,064.00	\$1,311.00	99"	\$1,384.00	\$1,708.00
28"	\$436.00	\$543.00	52"	\$756.00	\$935.00	76"	\$1,077.00	\$1,327.00	100"	\$1,396.00	\$1,724.00
29"	\$449.00	\$558.00	53"	\$769.00	\$950.00	77"	\$1,090.00	\$1,344.00	101"	\$1,409.00	\$1,740.00
30"	\$461.00	\$573.00	54"	\$784.00	\$969.00	78"	\$1,103.00	\$1,360.00	102"	\$1,424.00	\$1,757.00
31"	\$474.00	\$589.00	55"	\$797.00	\$984.00	79"	\$1,118.00	\$1,377.00	103"	\$1,437.00	\$1,774.00
32"	\$487.00	\$604.00	56"	\$810.00	\$999.00	80"	\$1,130.00	\$1,394.00	104"	\$1,450.00	\$1,790.00
33"	\$502.00	\$623.00	57"	\$823.00	\$1,015.00	81"	\$1,145.00	\$1,411.00	105"	\$1,464.00	\$1,807.00
34"	\$516.00	\$642.00	58"	\$837.00	\$1,034.00	82"	\$1,158.00	\$1,427.00	106"	\$1,477.00	\$1,824.00
35"	\$529.00	\$657.00	59"	\$850.00	\$1,049.00	83"	\$1,171.00	\$1,443.00	107"	\$1,490.00	\$1,840.00
36"	\$542.00	\$672.00	60"	\$863.00	\$1,064.00	84"	\$1,185.00	\$1,461.00	108"	\$1,504.00	\$1,857.00
37"	\$555.00	\$688.00	61"	\$877.00	\$1,083.00	85"	\$1,198.00	\$1,477.00	109"	\$1,517.00	\$1,873.00
38"	\$569.00	\$707.00	62"	\$890.00	\$1,098.00	86"	\$1,211.00	\$1,493.00	110"	\$1,530.00	\$1,890.00
39"	\$582.00	\$722.00	63"	\$903.00	\$1,113.00	87"	\$1,224.00	\$1,509.00	111"	\$1,545.00	\$1,907.00
40"	\$595.00	\$737.00	64"	\$916.00	\$1,129.00	88"	\$1,238.00	\$1,527.00	112"	\$1,558.00	\$1,923.00
41"	\$610.00	\$756.00	65"	\$931.00	\$1,148.00	89"	\$1,251.00	\$1,543.00	113"	\$1,571.00	\$1,939.00
42"	\$623.00	\$771.00	66"	\$943.00	\$1,163.00	90"	\$1,264.00	\$1,559.00	114"	\$1,585.00	\$1,957.00
43"	\$636.00	\$786.00	67"	\$956.00	\$1,178.00	91"	\$1,277.00	\$1,576.00	115"	\$1,598.00	\$1,973.00
44"	\$650.00	\$805.00	68"	\$971.00	\$1,197.00	92"	\$1,290.00	\$1,592.00	116"	\$1,611.00	\$1,989.00
45"	\$663.00	\$821.00	69"	\$984.00	\$1,212.00	93"	\$1,303.00	\$1,608.00	117"	\$1,624.00	\$2,005.00
46"	\$676.00	\$836.00	70"	\$997.00	\$1,227.00	94"	\$1,316.00	\$1,624.00	118"	\$1,638.00	\$2,023.00
47"	\$689.00	\$851.00	71"	\$1,011.00	\$1,247.00	95"	\$1,330.00	\$1,642.00	119"	\$1,651.00	\$2,039.00
48"	\$703.00	\$870.00	72"	\$1,024.00	\$1,262.00	96"	\$1,343.00	\$1,658.00	120"	\$1,666.00	\$2,057.00

PRICES INDICATED INCLUDE ONE MOLDED SINK. ADD \$150 FOR EACH ADDITIONAL BOWL. (NO BOWL TOPS ARE AT THE SAME COST)
 FOR TOPS DEEPER THAN 22" THE BACKSPLASH WILL BE BUILT SEPARATE AND ADDITIONAL CHARGES WILL APPLY

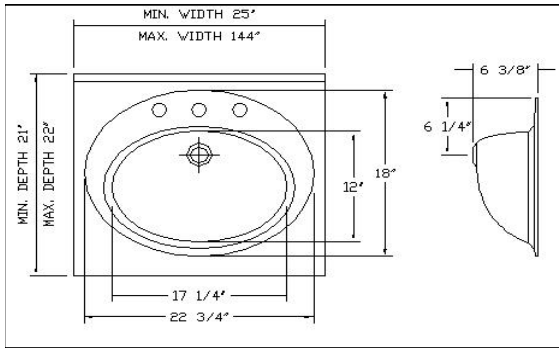


CUSTOM MOLDED BOWL SELECTION

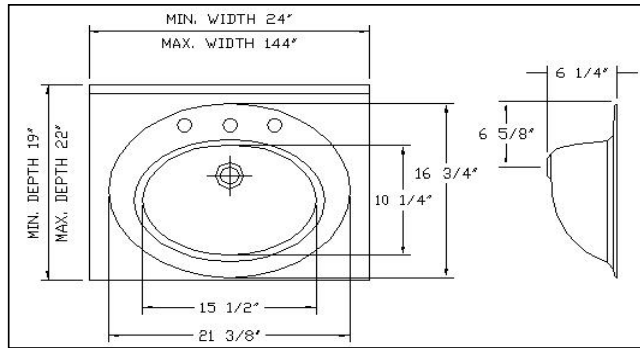
<p align="center">Recessed Oval Bowl</p> <p>Min. Width=25", Min Depth=21" Max. Width=144", Max Depth=22"</p>	<p align="center">Recessed Shell Bowl</p> <p>Min. Width=25", Min Depth=21" Max. Width=144", Max Depth=22"</p>	<p align="center">Small Recessed Oval Bowl</p> <p>Min. Width=24", Min Depth=19" Max. Width=144", Max Depth=22"</p>	<p align="center">Small Recessed Shell Bowl</p> <p>Min. Width=24", Min Depth=19" Max. Width=144", Max Depth=22"</p>
<p align="center">Diamond Bowl</p> <p>Min. Width=30", Min Depth=22" Max. Width=144", Max Depth=22"</p>	<p align="center">Square Bowl</p> <p>Min. Width=25", Min Depth=21" Max. Width=144", Max Depth=22"</p>	<p align="center">Malibu Bowl</p> <p>Min. Width=22 1/2", Min Depth=20" Max. Width=144", Max Depth=22"</p>	<p align="center">Bar Bowl</p> <p>Min. Width=18", Min Depth=16" Max. Width=144", Max Depth=22"</p>



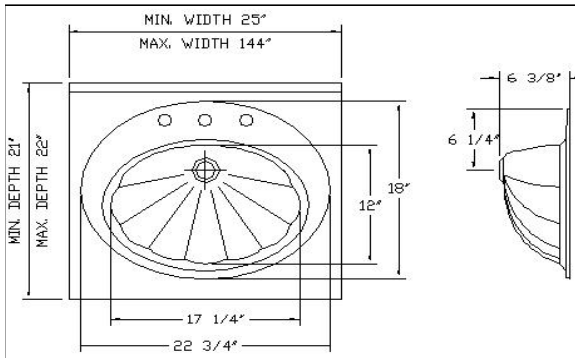
Custom Integrated Bowl Specifications



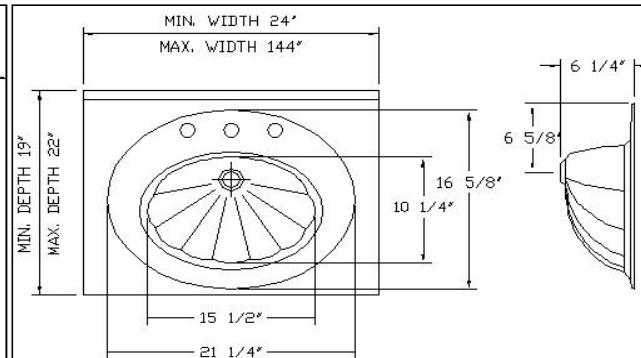
Recessed Oval Bowl



Recessed Small Oval Bowl



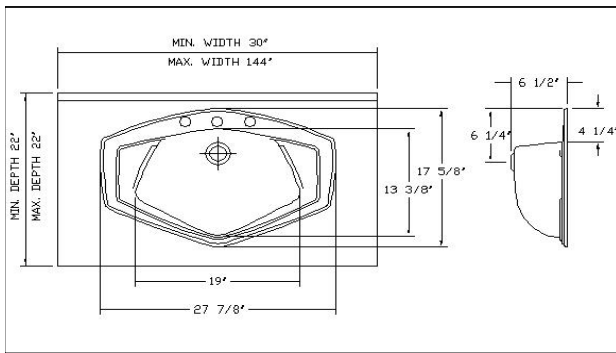
Recessed Shell Bowl



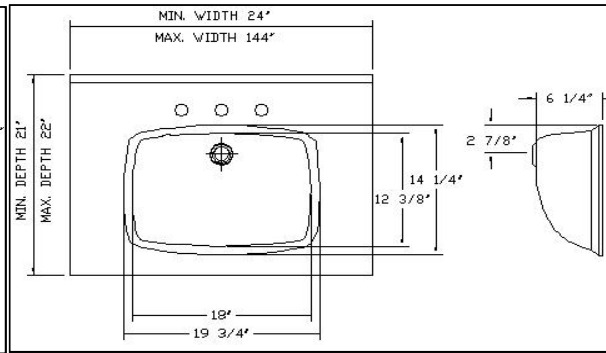
Recessed Small Shell Bowl



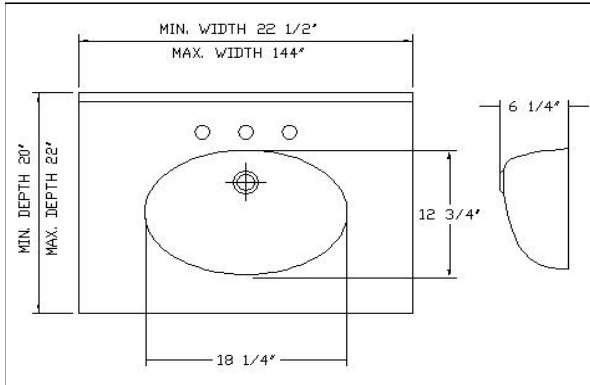
Custom Integrated Bowl Specifications



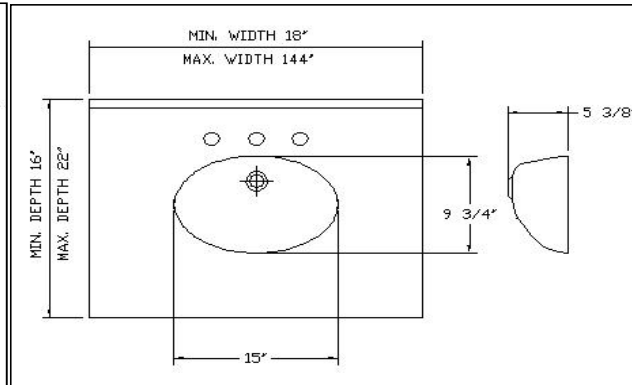
Recessed Diamond Bowl



Square Bowl



Malibul Bowl



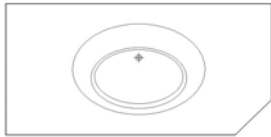
Bar Bowl



Vanity Top Optional Shapes and Features

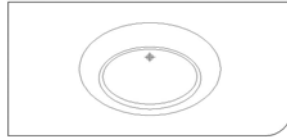
Clip Corner

Custom price plus \$50.00



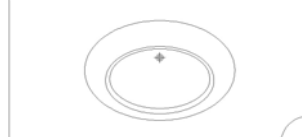
Radius Corner

Custom price plus \$50.00



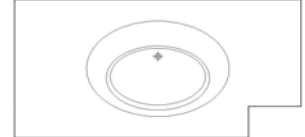
Cove Corner

Custom price plus \$50.00



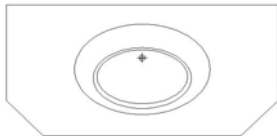
Notch Corner

Custom price plus \$75.00



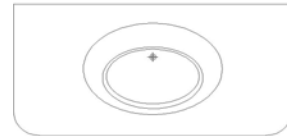
2- Clip Corner

Custom price plus \$100.00



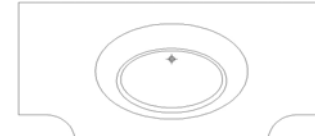
2- Radius Corner

Custom price plus \$100.00



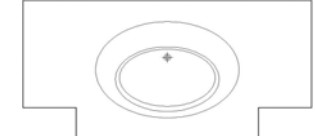
2- Corner Cove

Custom price plus \$150.00



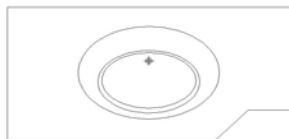
2- Corner Notch

Custom price plus \$150.00



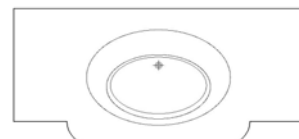
1- 45° Notch

Custom price plus \$250.00



2- Radius Corner Notch

Custom price plus \$100.00



4- Corner Cove

Custom price plus \$450.00



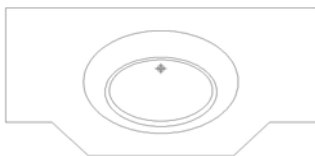
4-Corner Notch

Custom price plus \$450.00



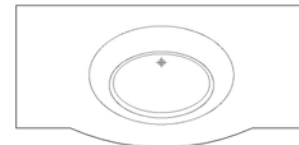
2- 45° Notch

Custom price plus \$250.00



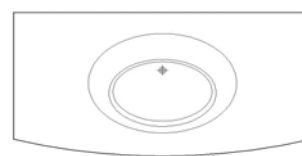
Front Radius

Custom price plus \$100.00



Full Front Radius

Custom price plus \$150.00



4- Corner Notch w/ Radius

Custom price plus \$450.00



4- 45° Notch

Custom price plus \$450.00



2- Front Radius

Custom price plus \$350.00



****NOTE** adding any of these features to a standard vanity top will automatically make it a custom top**

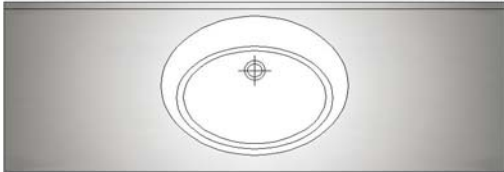


DIFFERENT BOWL COLOR, OPTIONAL HOLE ARRANGEMENTS & UNDERMOUNT

Integrated Colored bowl (White)

Custom price plus \$180.00 per bowl

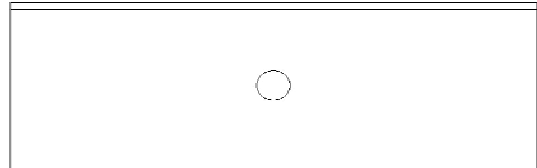
** Not available on Diamond and Shell Bowls*



Hole for vessel sink

Custom price plus \$40.00

"specify diameter of hole and position of center"

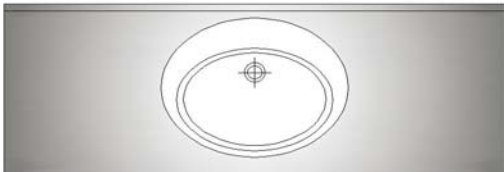


(diameter is the distance from one side of the hole to the other)

Integrated Colored bowl (Bone)

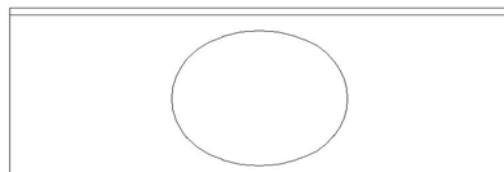
Custom price plus \$180.00 per bowl

** Not available on Diamond and Shell Bowls*



Hole for customer undermount or drop-in sink

Custom price plus \$150.00 per bowl also sink(s) must be sent "freight prepaid" to Atcan for installation.



Stock Undermount White Vitrous China Sinks

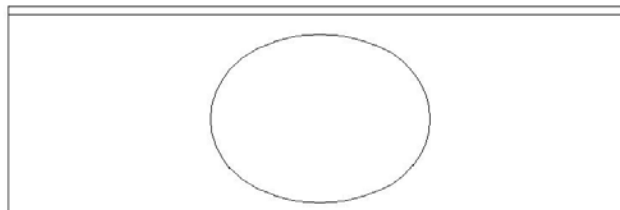
see next page for specifications

American Standard White Ovalyn Model 0495-221, Custom price plus \$180.00 each.

American Standard White Ovalyn Model 0496-221, Custom price plus \$180.00 each.

American Standard White Ovalyn Model 0495-221, Custom price plus \$180.00 each.

American Standard White Ovalyn Universal Access Model 9482-000, Custom price plus \$180.00 each.



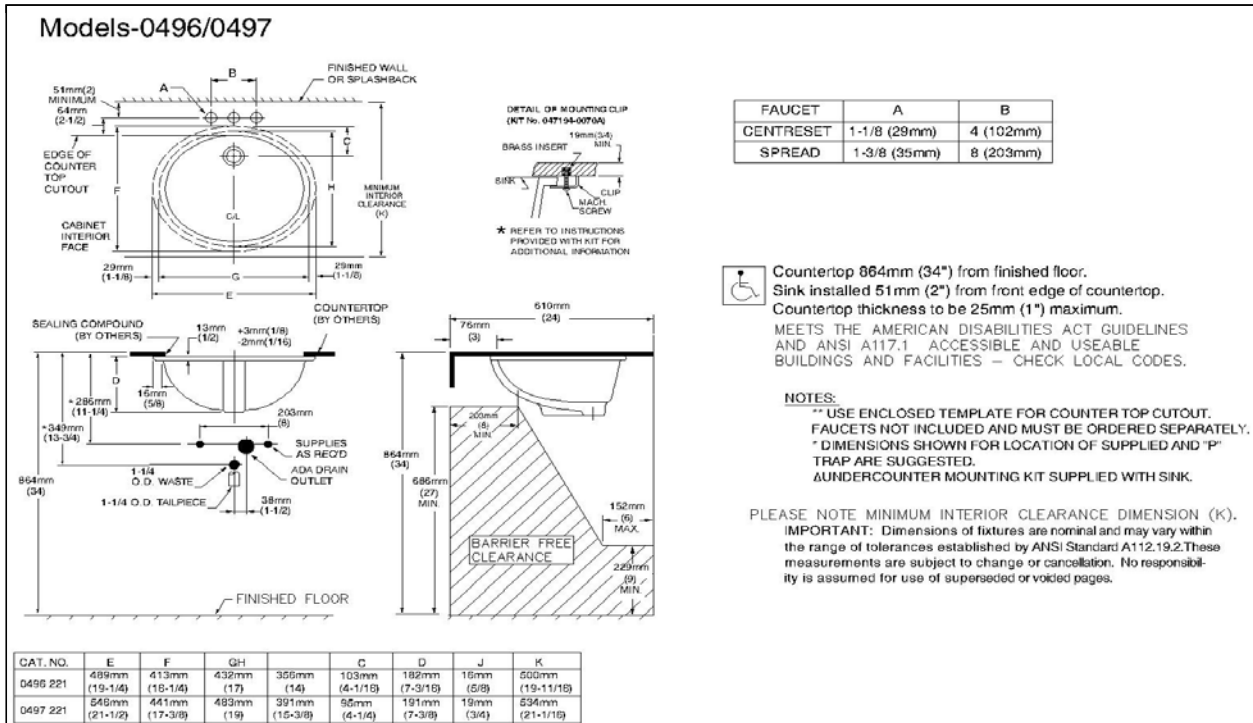
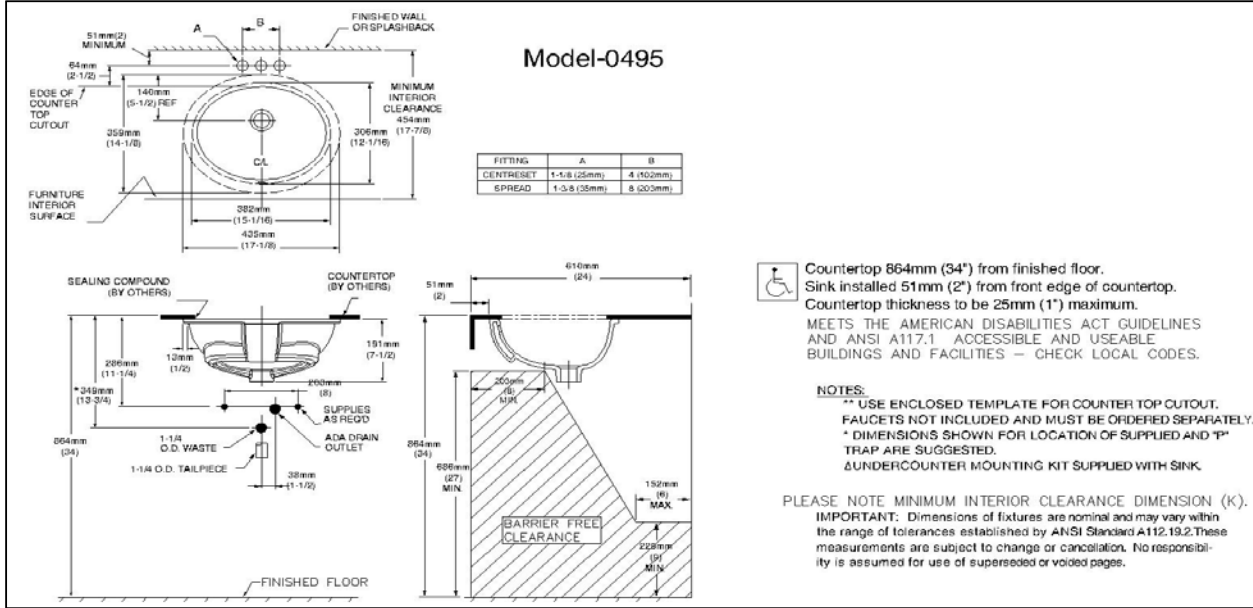
Steel----custom price plus \$150.00 per bowl

China----custom price plus \$200.00 per bowl



CAROMASTONE

STOCK UNDERMOUNT WHITE VITROUS CHINA SINK SPECIFICATIONS





STOCK UNDERMOUNT WHITE VITROUS CHINA SINK SPECIFICATIONS



MEETS THE AMERICAN DISABILITIES ACT GUIDELINES AND ANSI A117.1 REQUIREMENTS FOR PEOPLE WITH DISABILITIES

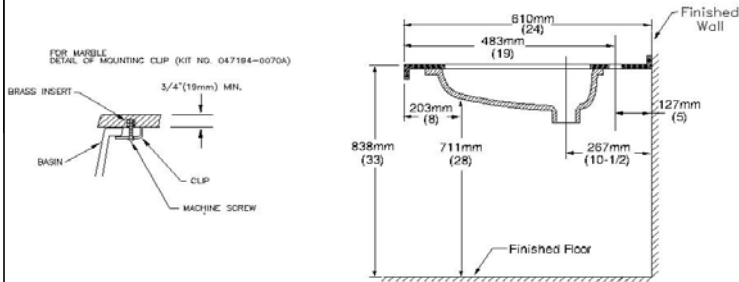
For Universal Design Options, top of counter may be mounted at 813mm (32") from finished floor to meet ADA and ANSI A117.1 requirements. A 864mm (34") mounting height is required for California Title 24 and other more stringent knee space requirements. A 838mm (33") mounting height is required for Ontario. Check local codes for heights and faucet handles requirements.

NOTES

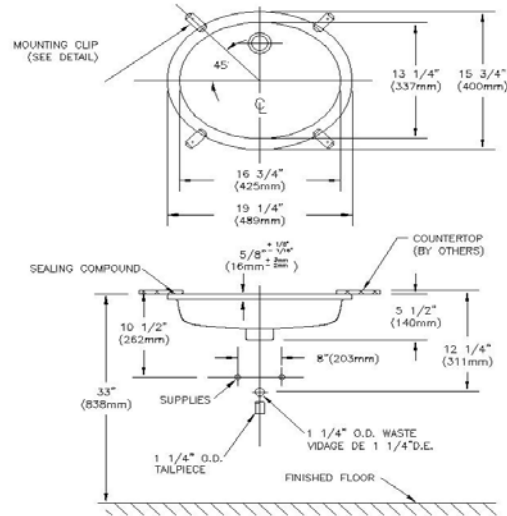
- FOR COUNTERTOP CUTOUT AND INSTALLATION INSTRUCTIONS USE TEMPLATE SUPPLIED WITH SINK.
- FAUCETS NOT INCLUDED AND MUST BE ORDERED SEPARATELY.
- * DIMENSIONS SHOWN FOR LOCATION OF SUPPLIED AND "P" TRAP ARE SUGGESTED.
- ▼ UNDERCOUNTER MOUNTING KIT SUPPLIED WITH SINK.

IMPORTANT: Dimensions of fixtures are nominal and may vary within the range of tolerances established by ANSI Standard A112.19.2.

These measurements are subject to change or cancellation. No responsibility is assumed for use of superseded or voided pages.



9482-000 OVALYN U.A. UNDERCOUNTER BASIN





Countertop Pricing Procedure

Choose a **Standard** or **Custom** vanity top pricing

STANDARD vanity top is one that is chosen from the single or double bowl pricing charts with no modifications to it.

CUSTOM vanity top is one that has some sort of feature or option not shown on a standard top or could be a design or shape brought in by a customer.

Example: You select a standard O2519 top but you'd like to have angled corners on it. Angled corners, even on a standard top now make it a custom type top and it would have to be priced from the custom top page.

Standard Vanity Top Selection and Pricing

1. Select single or double bowl vanity from appropriate chart
2. Select vanity top size from those available
3. Select desired material from either marble or stone column and you have your price.

Points to remember.

- Only dimensions and specification indicated on the page are available, any deviation from this you must price as a custom top!
- Note the edge profile and "Drip edge" on the front and sides of the standard tops.
- The backsplash is moulded into the top on all standard sized tops.

Custom Top Selection and Pricing

1. Select the desired Width of the vanity top.
2. Select Desired Material (marble or stone) to get the custom price
3. That price includes a vanity up to 22" deep and one moulded bowl.
4. Extra bowls and options such as a different colored sink, angle cuts or radiuses or undermount sinks are all extra above that price

Points to remember.

- Remember that each option or feature added is an additional upcharge to the base custom price
- Note the edge profile on Custom products has a Radius edge rather than the "Drip edge" found on Standard Tops
- Tops deeper than 22" require that the backsplash be a separate piece and priced separately.



HOW TO PRICE CUSTOM TOPS

Example 1:

Custom vanity top with an extra bowl and double corner notch.

Color: Coal

Top size 71W x 23" deep

Step 1:

Determine Custom Base Price \$1,247.00 *From the custom chart a 71" W top made of stone = \$1247*

Step 2:

Determine Backsplash Price \$220.89 *From flat stock chart: 4"H x 71" Long = 1.972 sq. ft.
1.972 sq.ft. of 3/4" material in stone x \$112/sq.ft. = \$220.89*

Step 3:

Add cost of extra bowl \$150.00 *From custom price chart: each additional bowl = \$150*

Step 4:

Add upcharge for double corner notch \$450.00 *From custom shapes price chart-double sink with double
corner notch = \$450*

Final Total of custom top. \$2,067.89

Example 2:

Custom Vanity Top With a full front radius, bone colored bowl

Size: 43"W x 22" D

Color: Marble

Step 1:

Determine Custom Base Price \$636.00 *From the custom chart a 43" W top made of marble = \$636*

Step 2:

Determine Backsplash Price Included *Because this top is 22" deep or less, the backsplash will be
moulded as part of the top*

Step 3:

Add cost of bone colored bowl \$180.00 *When the sink color is of a different color than the top color
then there is an upcharge found on the undermount and
holes pricing*

Step 4:

Add upcharge for full front radius \$150.00 *From custom shapes price chart-single sink with
full radius \$150*

Final Total of custom top. \$966.00